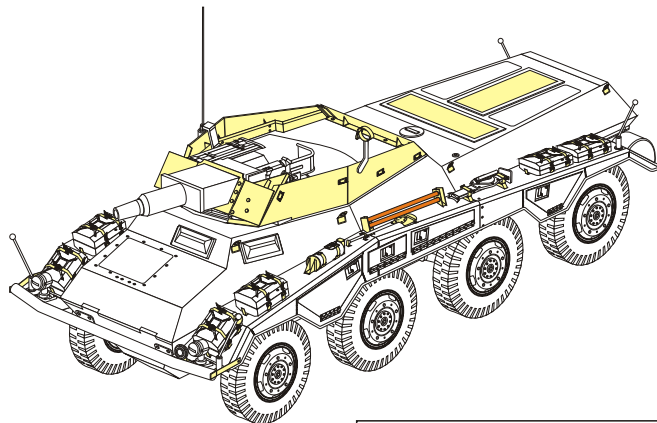


1/35 MILITARY MINIATURE VEHICLE UPGRADE SERIES PE35167

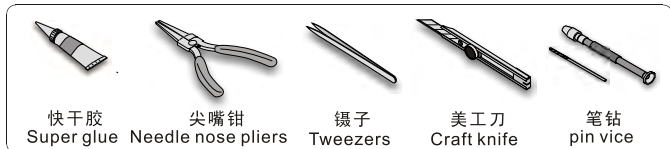
WWII German Sd.Kfz 234/3

二战德军234/3装甲车改造件

[For DRAGON 6257]



推荐使用工具 RECOMMENDED TOOLS



快干胶
Super glue

尖嘴钳
Needle nose pliers

镊子
Tweezers

美工刀
Craft knife

笔钻
pin vice

↑
安装
install

↩
折叠
bend

A1
改造件零件编号
PE/resin part number

B12
原零件编号
kit part number

C22
被替换的原零件编号
replaced kit part number

↔
另一侧相同制作
repeat on opposite side

✂
切除
remove

🔪
打磨
grind off

📏
弧度卷曲
radial bending

🔢
制作若干组
multiple assembly

↔
选择安装
alternative

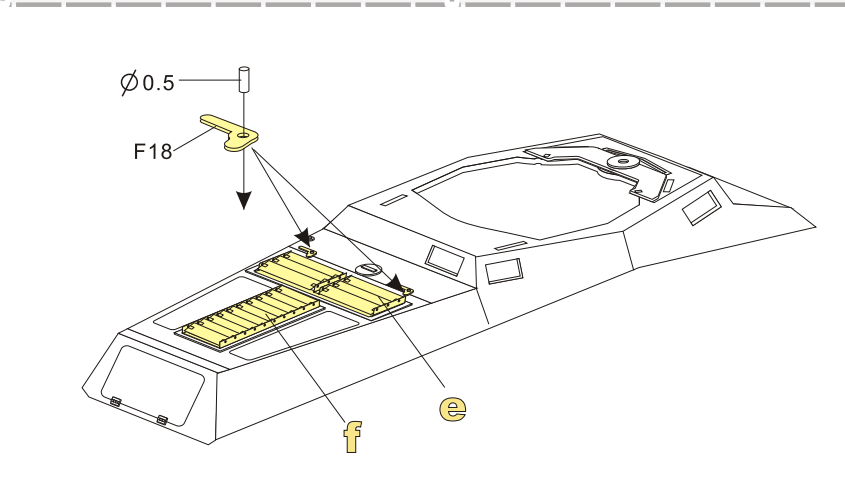
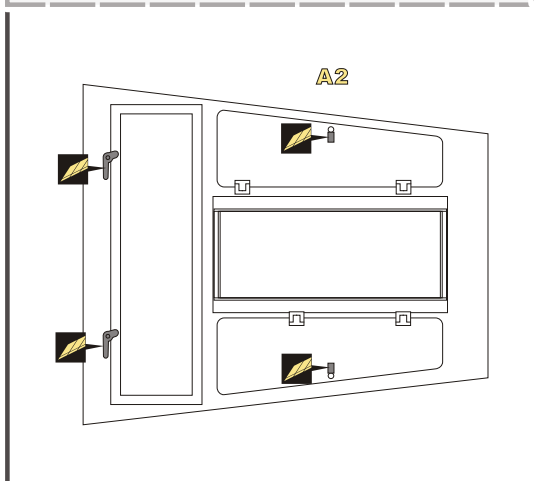
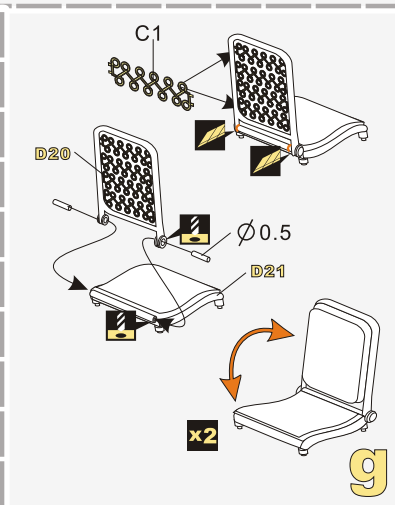
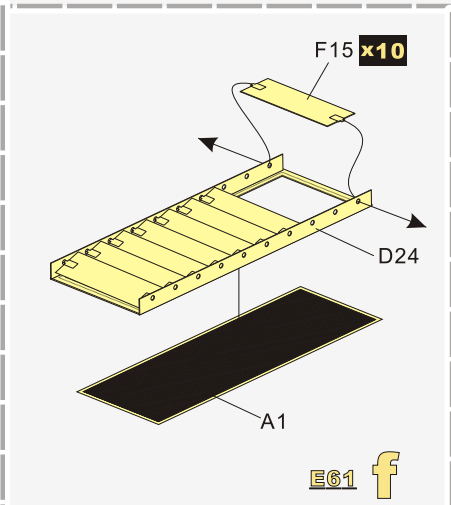
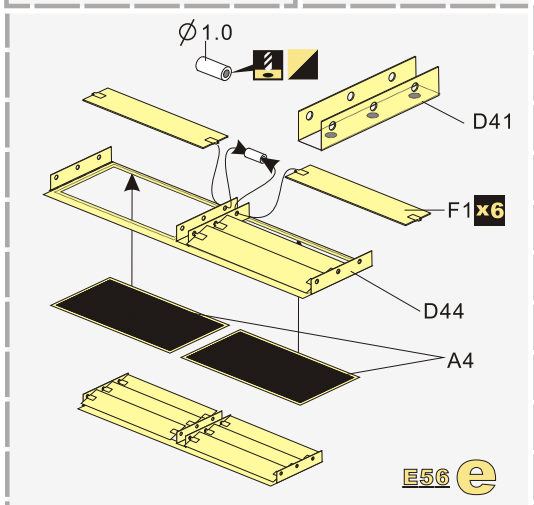
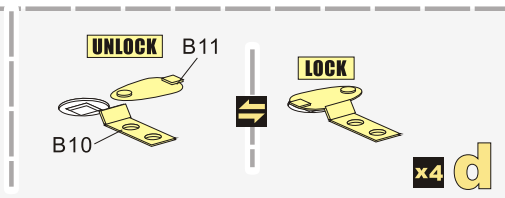
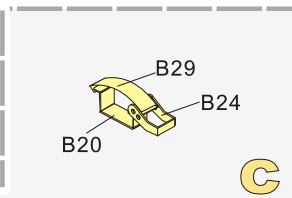
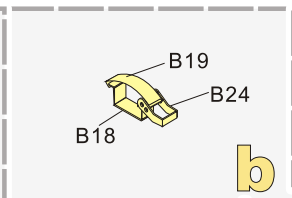
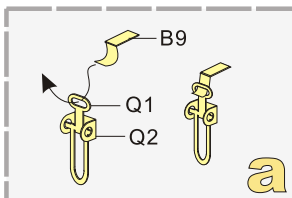
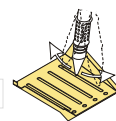
🔧
钻孔
drill

📏
用胶棒制作
make from plastic rod

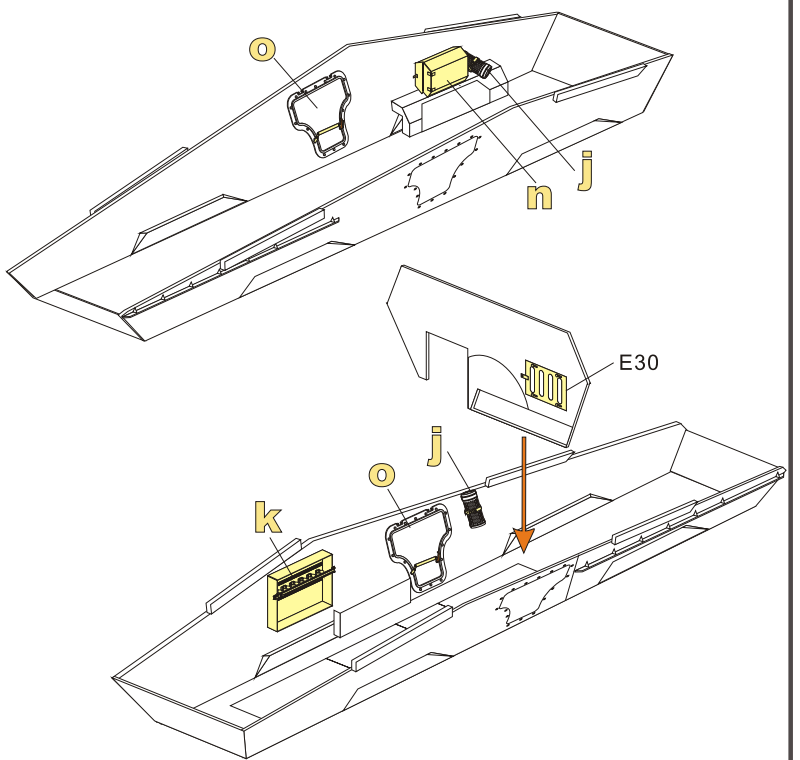
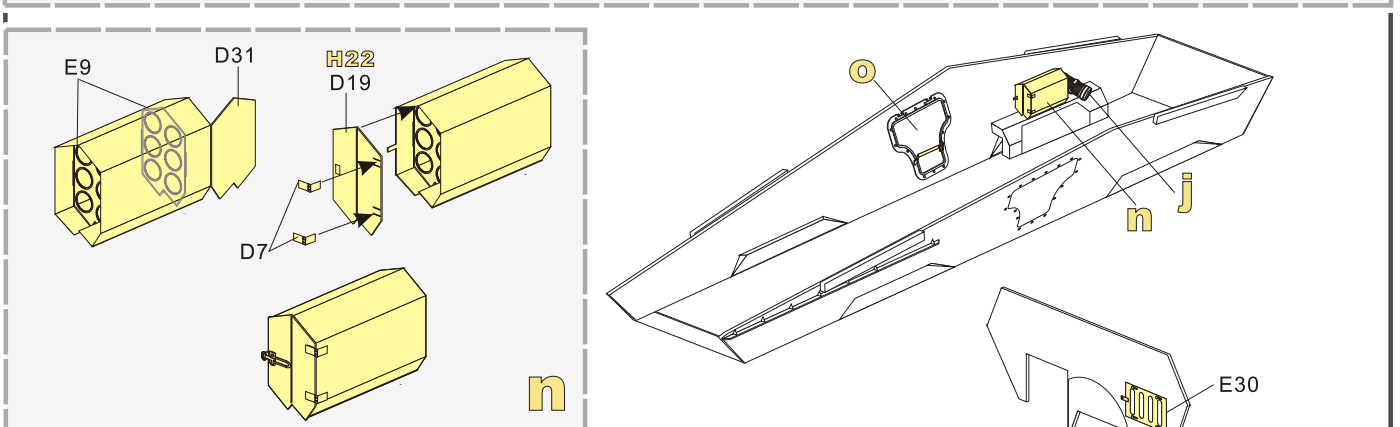
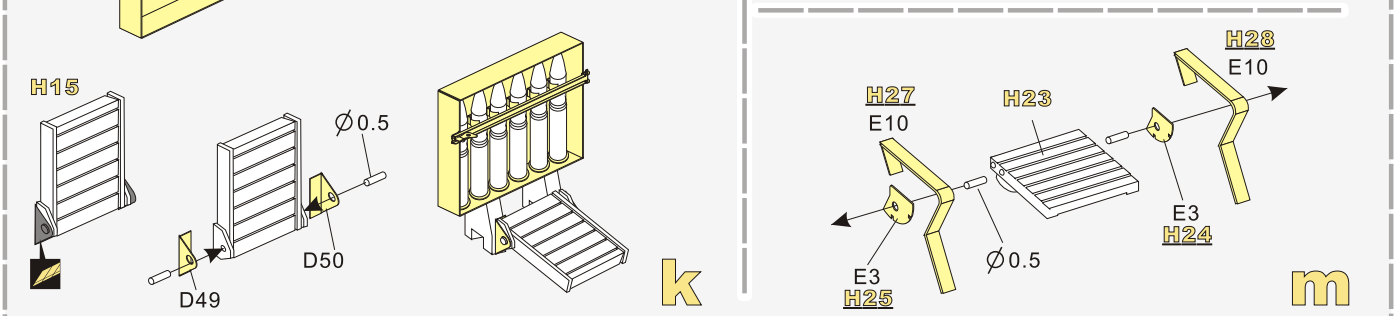
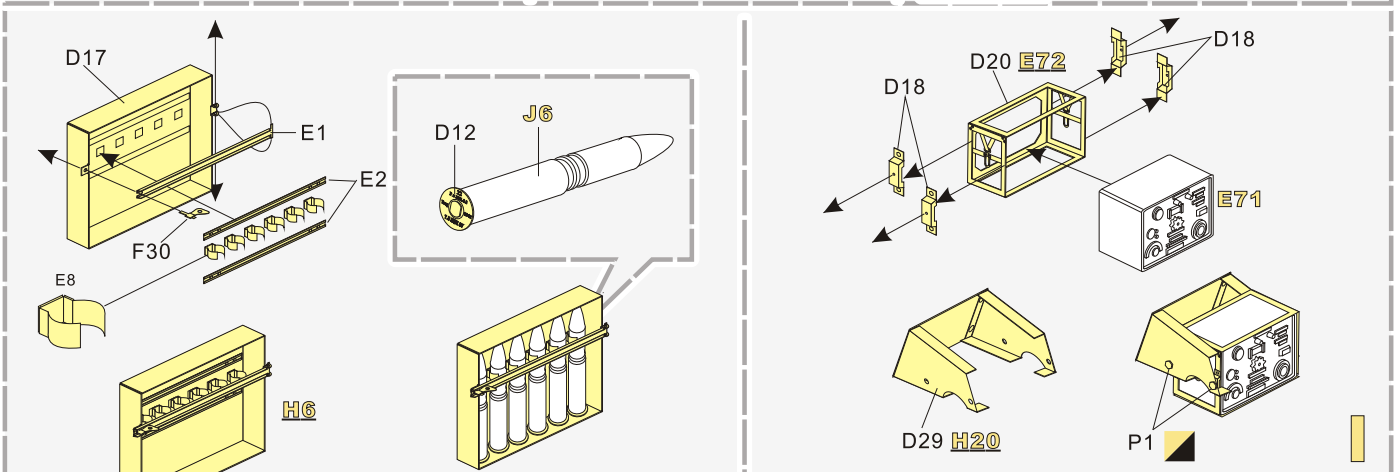
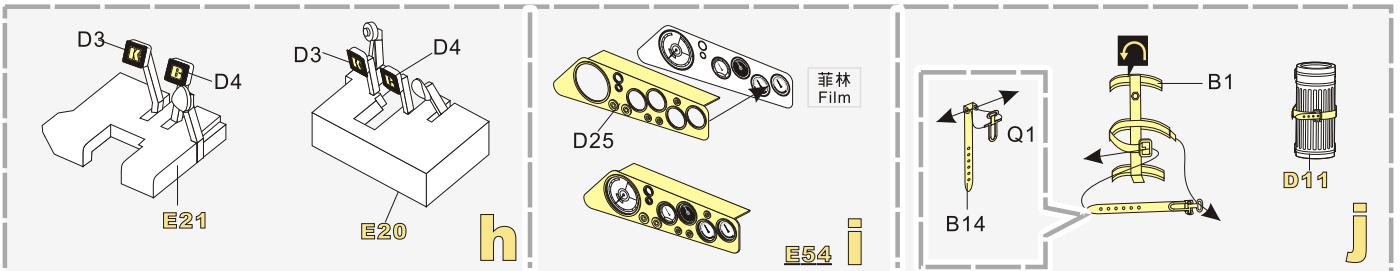
↓
用尖端在凹槽处冲压
use penpoint to press on the dent

📏
蚀刻片零件内侧面向上
Put the part upside down

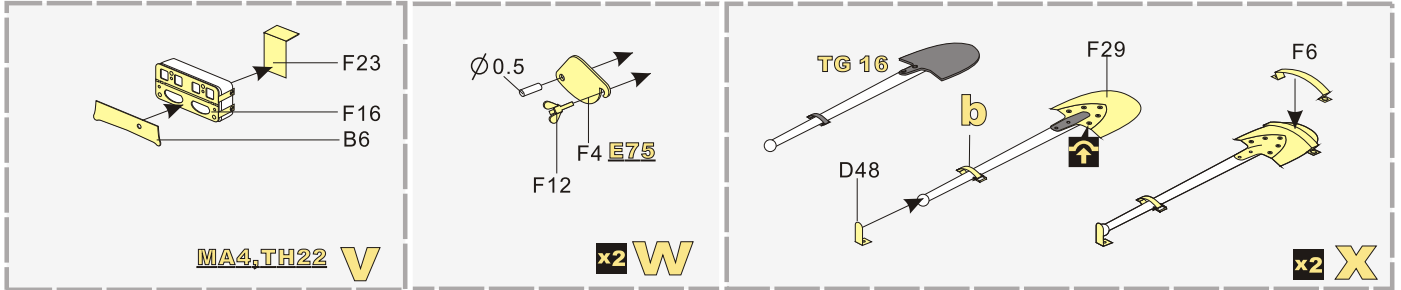
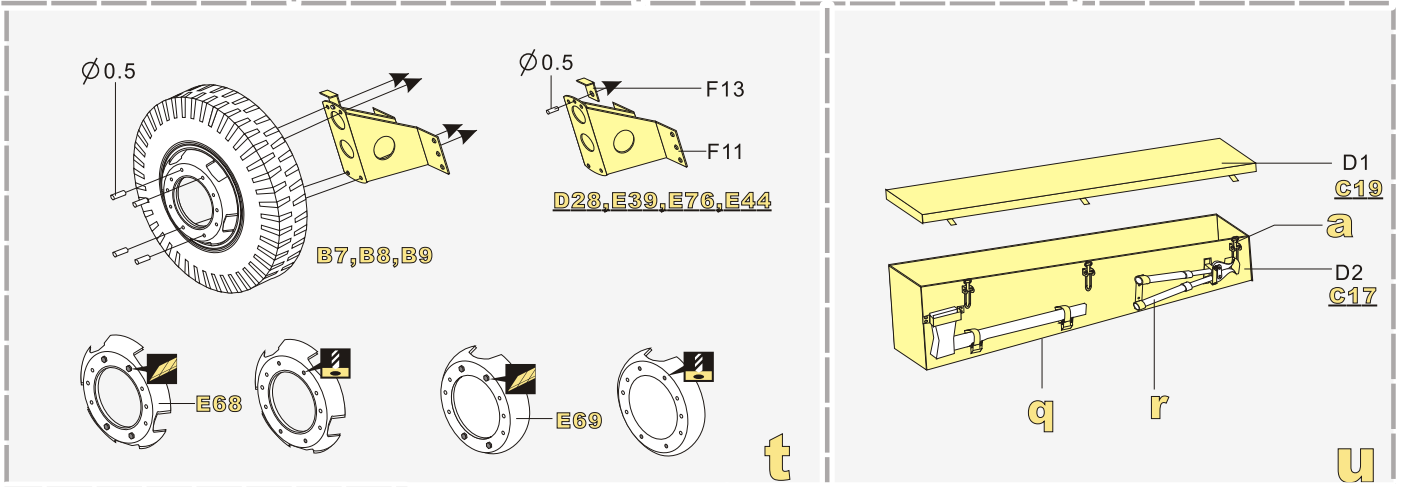
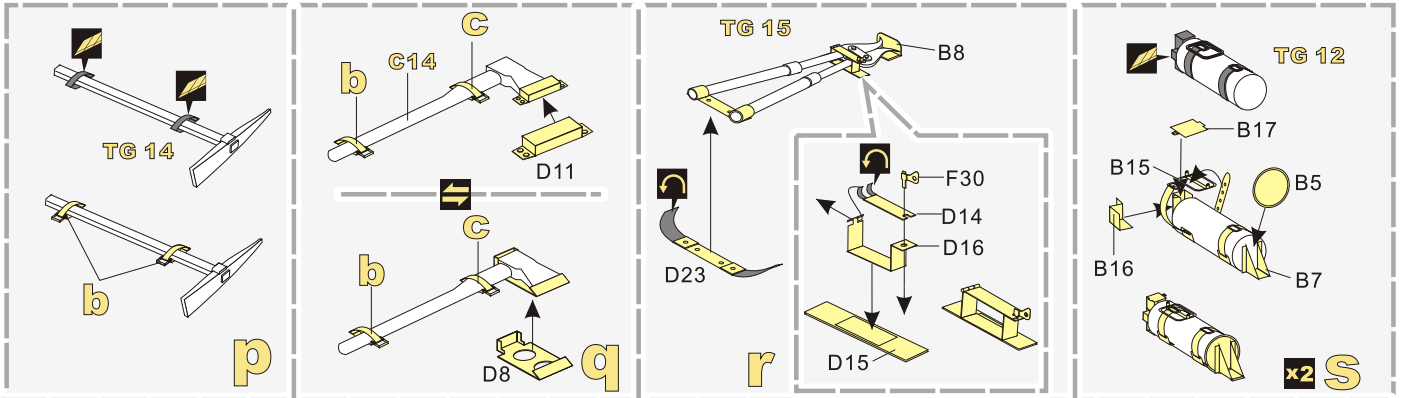
📏
用笔尖在凹槽处刻
Use penpoint to press on the dent



1/35 MILITARY MINIATURE VEHICLE UPGRADE SERIES PE35167



1/35 MILITARY MINIATURE VEHICLE UPGRADE SERIES PE35167



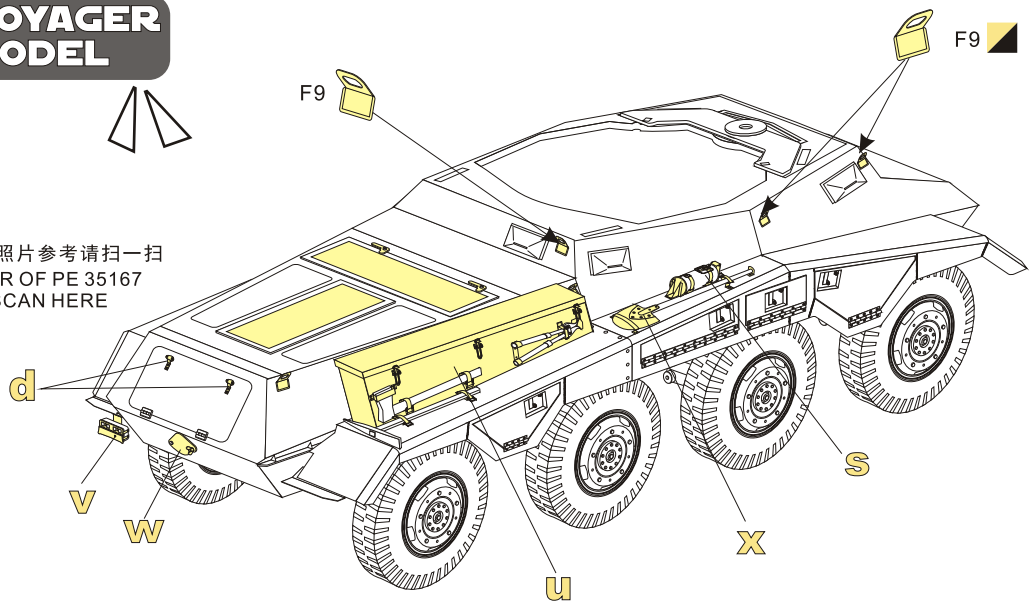
[Http://www.voyagermodel.com/productdetails.asp?itemid=PE35167](http://www.voyagermodel.com/productdetails.asp?itemid=PE35167)



**VOYAGER
MODEL**

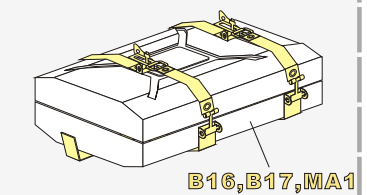
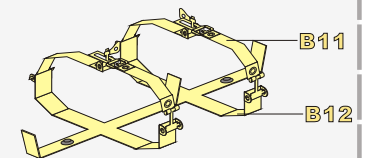
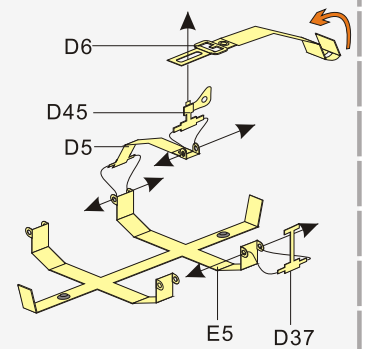
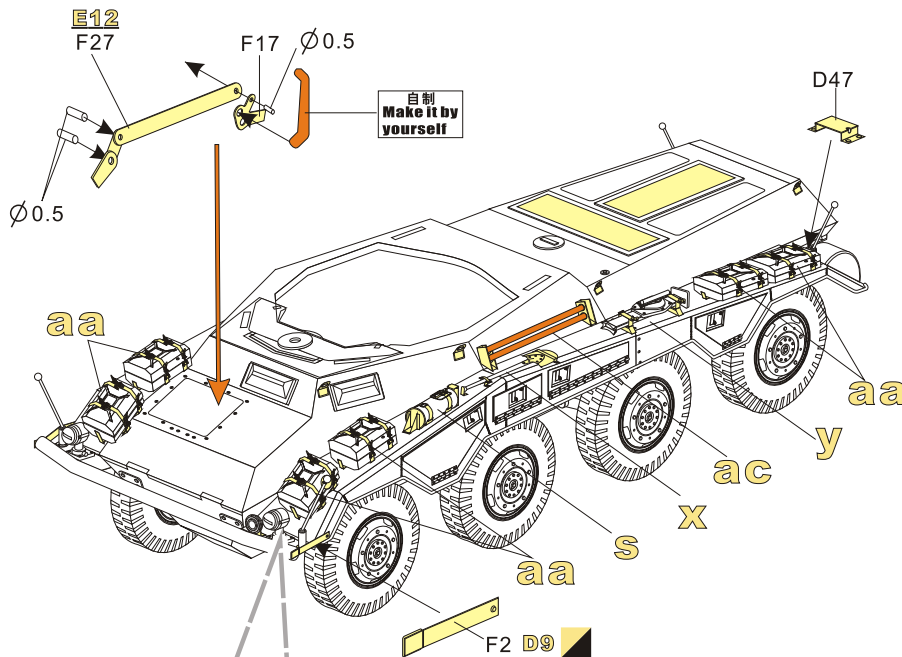
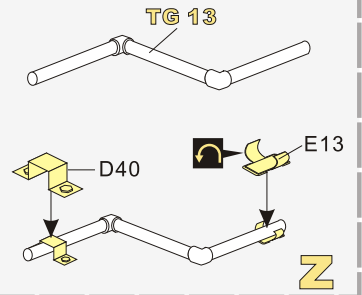
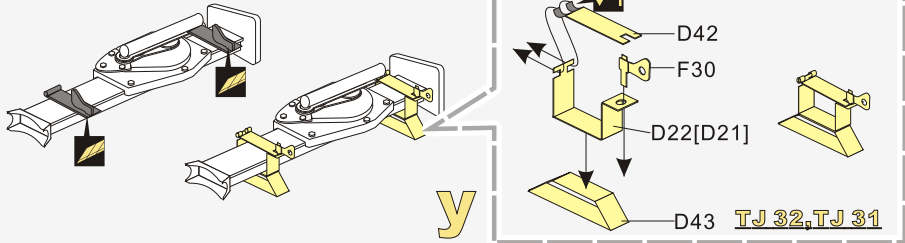


更多PE35167样品照片参考请扫一扫
MORE PICTUER OF PE 35167
REFERENCE SCAN HERE

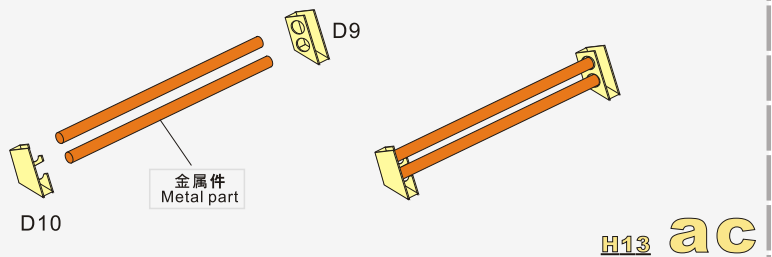
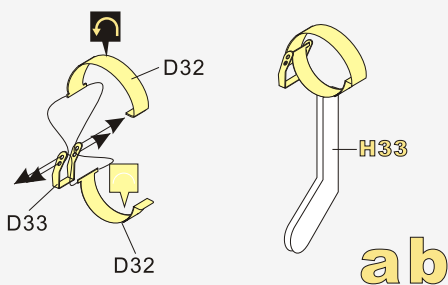
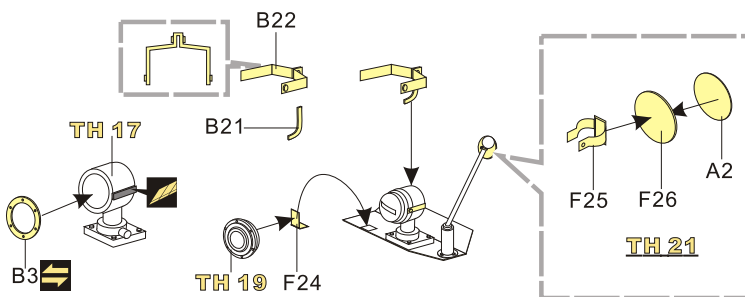


1/35 MILITARY MINIATURE VEHICLE UPGRADE SERIES PE35167

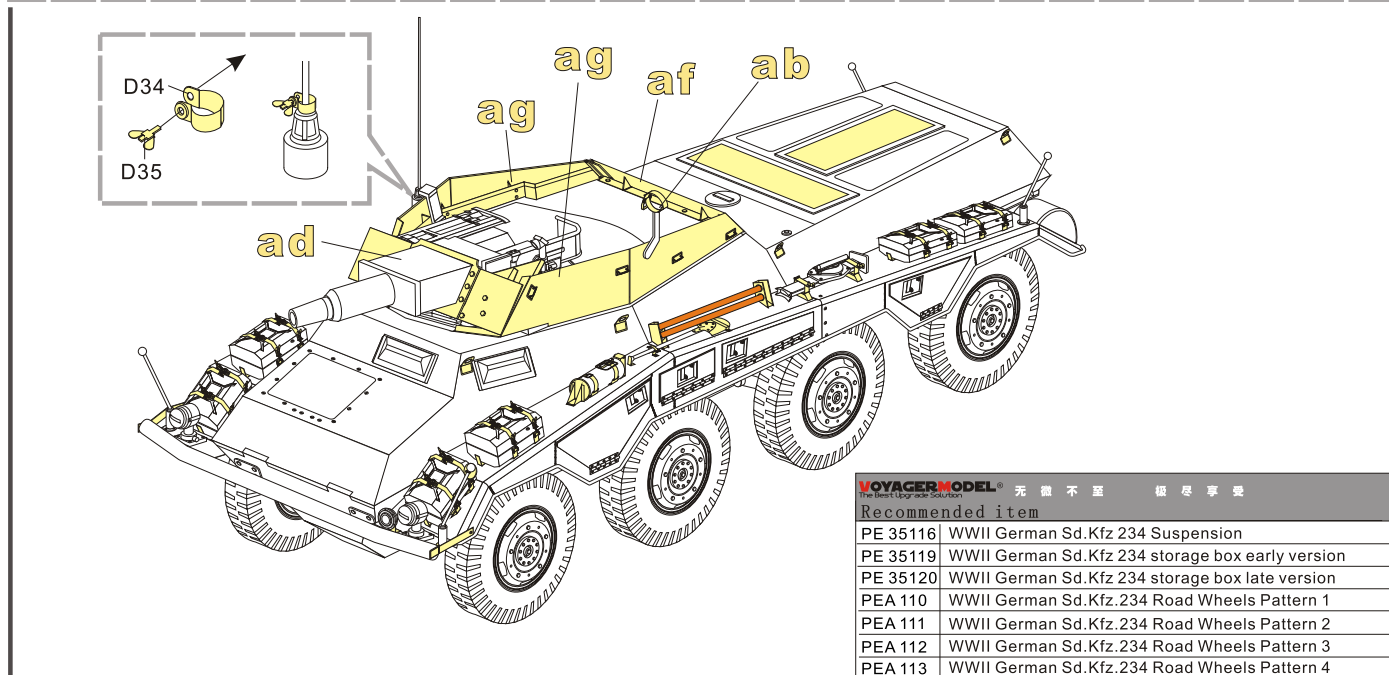
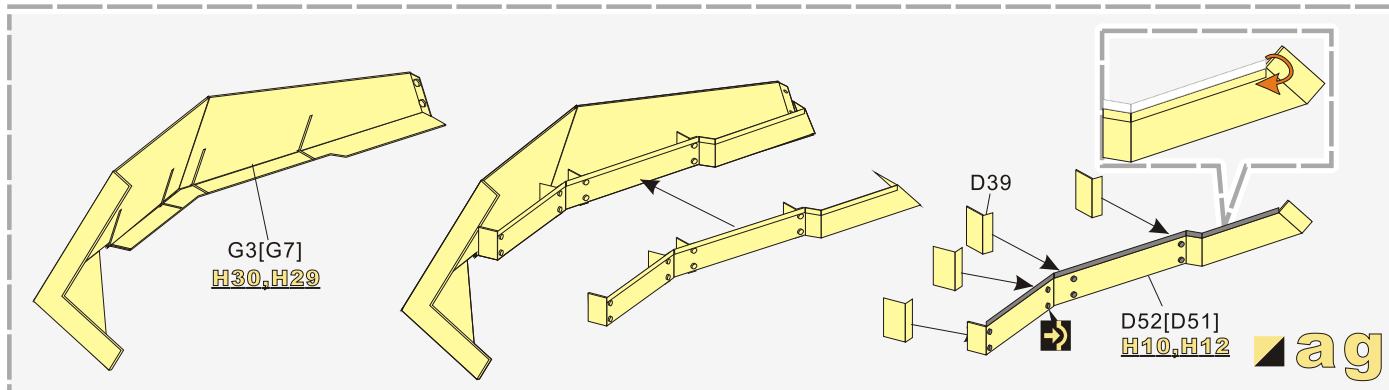
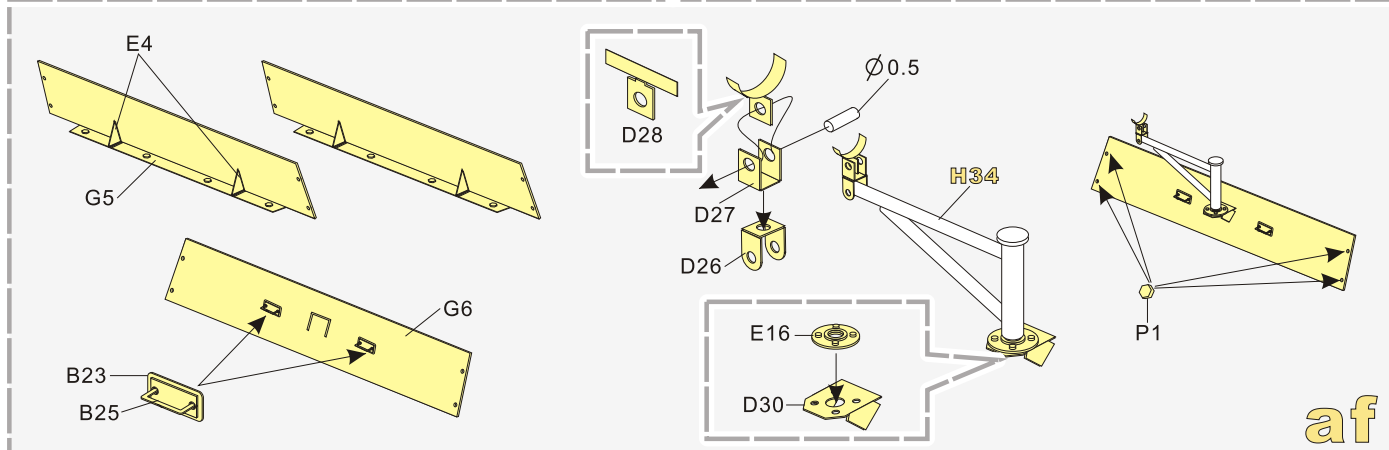
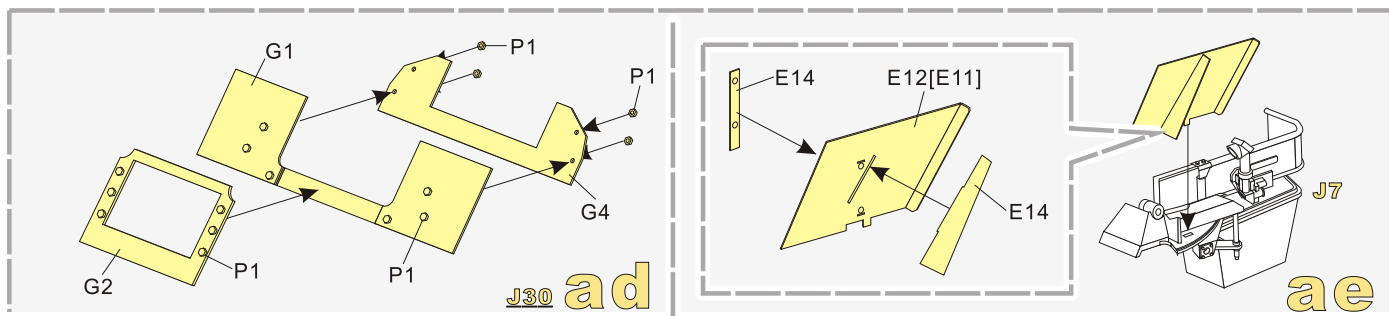
TJ29,TJ30,TJ24,TJ25,TJ34,TJ33



x6 aa



1/35 MILITARY MINIATURE VEHICLE UPGRADE SERIES PE35167



VOYAGERMODEL® 无微不至 极尽享受
The Best Upgrade Solution

Recommended item

PE 35116	WWII German Sd.Kfz 234 Suspension
PE 35119	WWII German Sd.Kfz 234 storage box early version
PE 35120	WWII German Sd.Kfz 234 storage box late version
PEA 110	WWII German Sd.Kfz.234 Road Wheels Pattern 1
PEA 111	WWII German Sd.Kfz.234 Road Wheels Pattern 2
PEA 112	WWII German Sd.Kfz.234 Road Wheels Pattern 3
PEA 113	WWII German Sd.Kfz.234 Road Wheels Pattern 4