

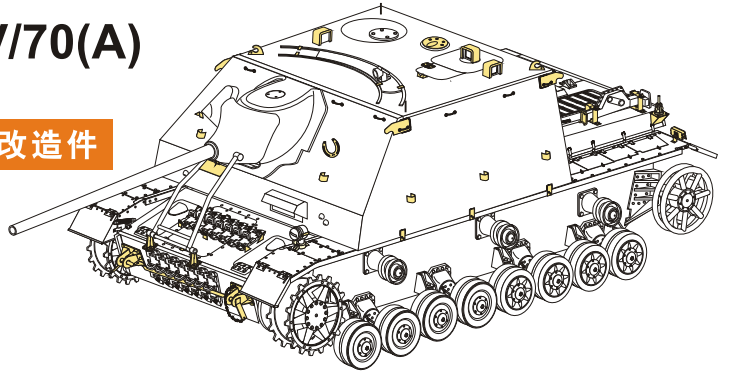
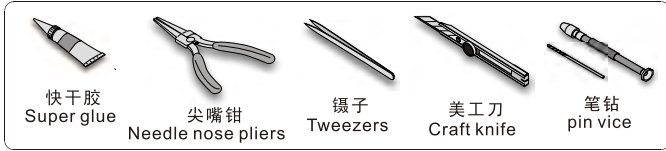
1/35 MILITARY MINIATURE VEHICLE UPGRADE SERIES PE351274

WWII German Jagdpanzer IV/70(A) ZWISCHEN LOSUNG

二战德军IV号坦克歼击车70(A)临时方案型改造件

[For TAMIYA35381]

■ 推荐使用工具 RECOMMENDED TOOLS



- ↑ 安装 install
- ↩ 折叠 bend
- A1** 改造件零件编号 PE/resin part number
- B12** 原零件编号 kit part number
- C22** 被替换的原零件编号 replaced kit part number
- x2** 制作若干组 multiple assembly
- ↻ 弧度卷曲 radial bending
- ⇌ 选择安装 alternative
- ✂ 切除 remove
- ⚡ 钻孔 drill
- ⚠ 注意 caution
- ↔ 另一侧相同制作 repeat on opposite side
- ◻ 填补 fill
- 🔪 打磨 grind off
- 📏 用铜管制作 make from brass tube

↓
用尖端在凹槽处冲压
use penpoint to press on the dent

蚀刻片零件内侧面向上
Put the part upside down

用笔尖在凹槽处刺
Use penpoint to press on the dent

制作线圈
make coil

a A21, A23, A24, A24, A13

b x2 A22, A24

c A33, A70

d A28, A42, A83, Kit Part, A41

e A53, Kit Part, A18

f Kit Part, a

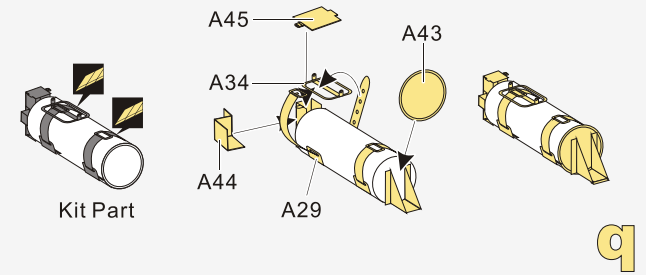
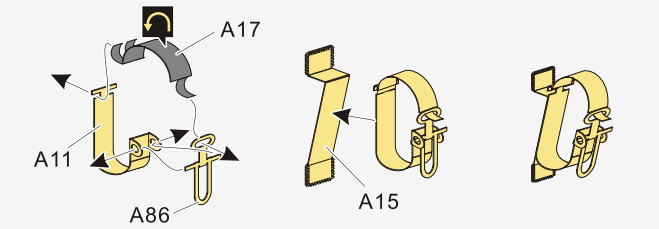
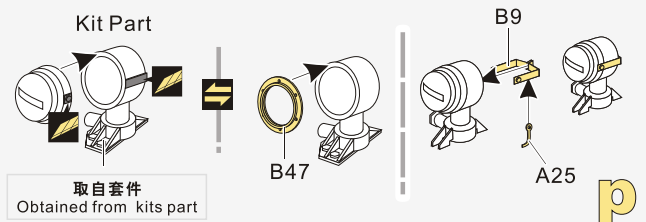
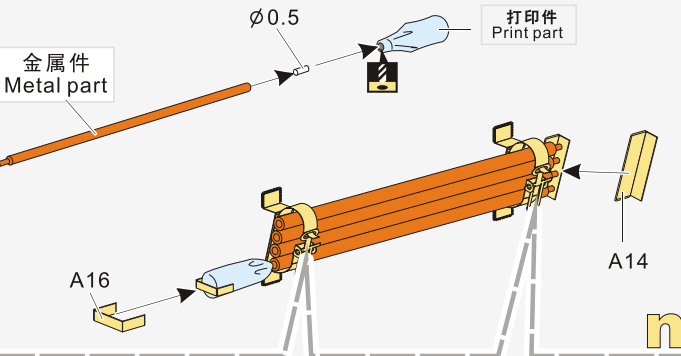
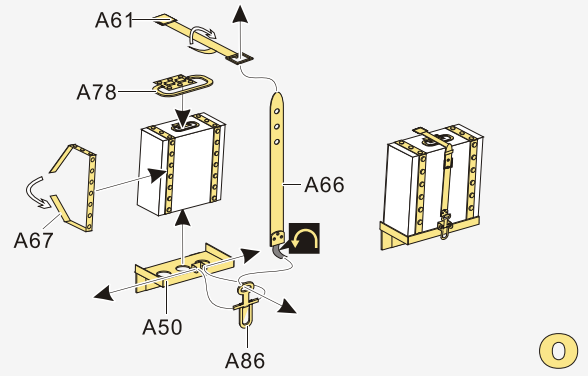
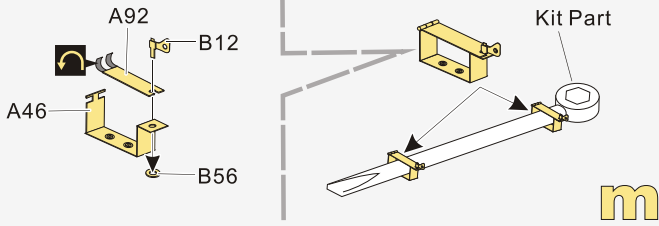
g Kit Part, A52, A68

i Kit Part, A68, A52

j B7, B15, Kit Part, B14, A58

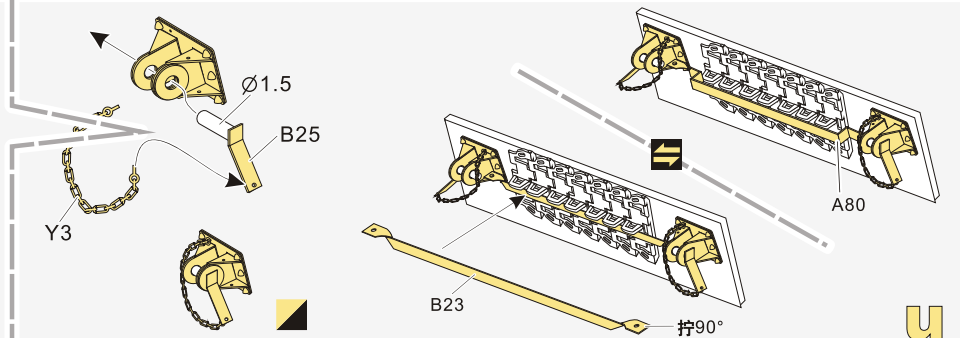
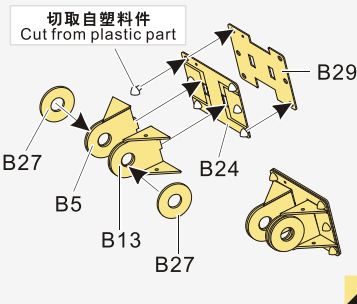
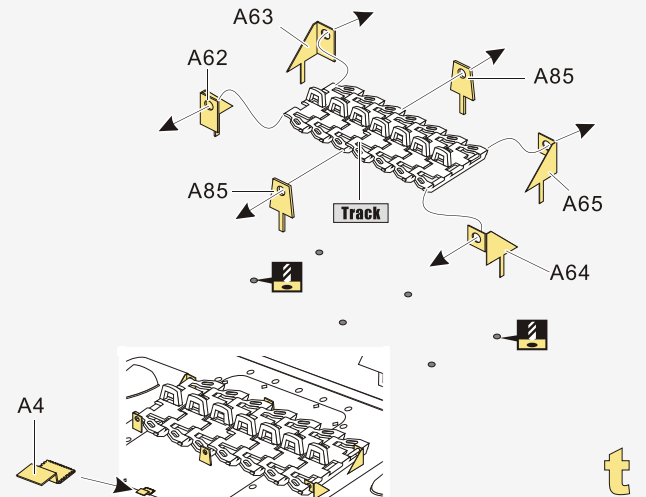
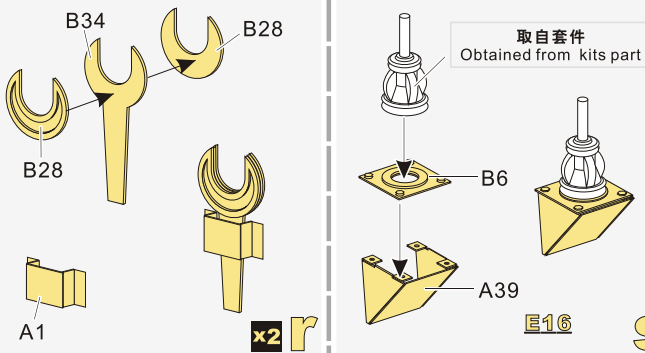
k 自制 Scratch build, B45, A32, A30, A31, A31, A30, B43, B44, A32, A31, A30, A2, A73, A103, B3, Kit part, A3, ∅0.5, ∅0.5, ∅1.0, B12, A55, A94, B56, A49, B19, x2

1/35 MILITARY MINIATURE VEHICLE UPGRADE SERIES PE351274

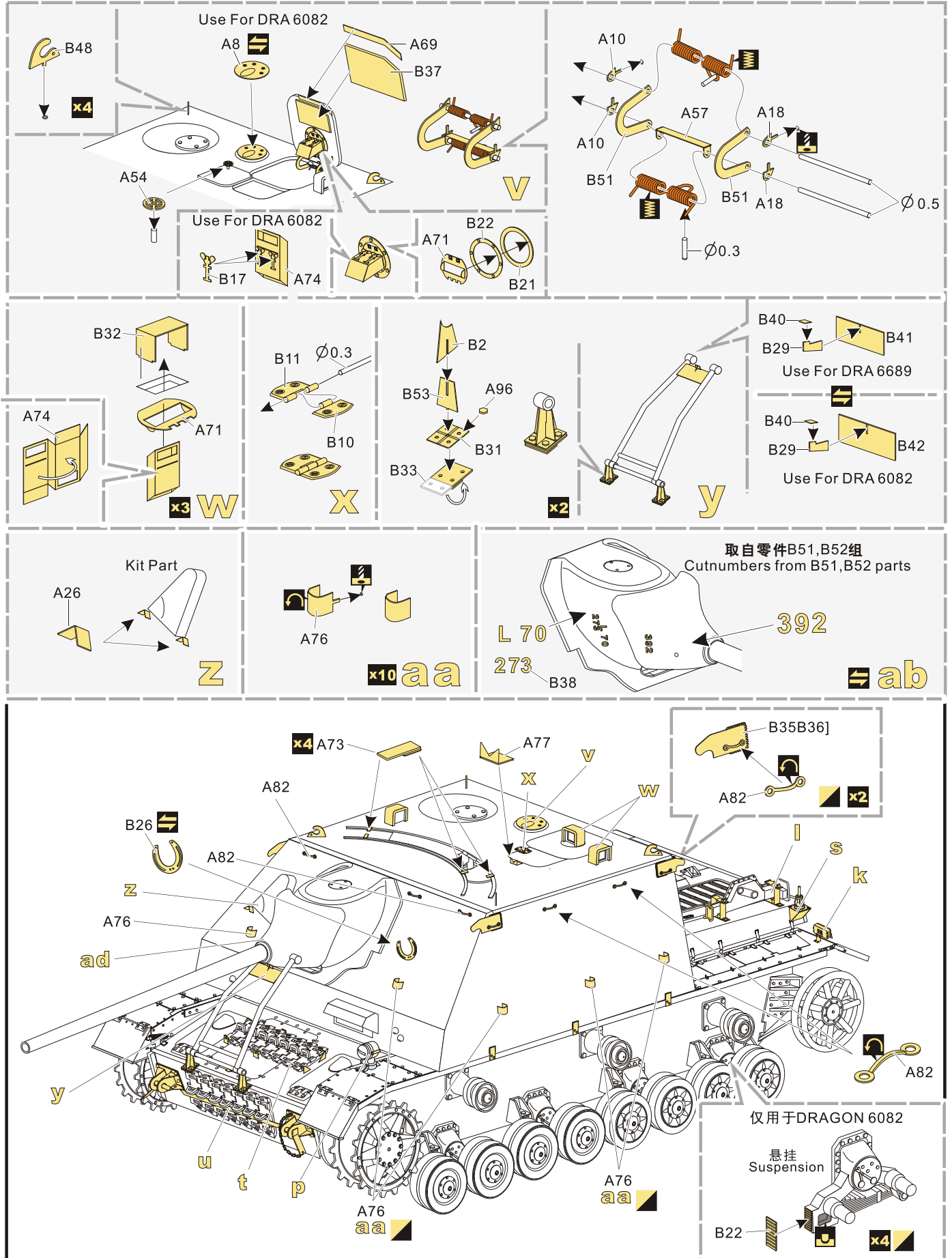


VOYAGERMODEL® 无微不至 极尽享受
The Best Upgrade Solution

Recommended item	
PE 35187	WWII German Pz.Kpfw.IV Series Fenders
PEA311	WWII German Jagdpanzer IV/70(A) "Thoma shields" wire mesh schürzen (NEW)
VBS0149	WWII German Jagdpanzer family 75mm L/70 Barrel w/Mantlet



1/35 MILITARY MINIATURE VEHICLE UPGRADE SERIES PE351274



1/35 MILITARY MINIATURE VEHICLE UPGRADE SERIES PE351274

